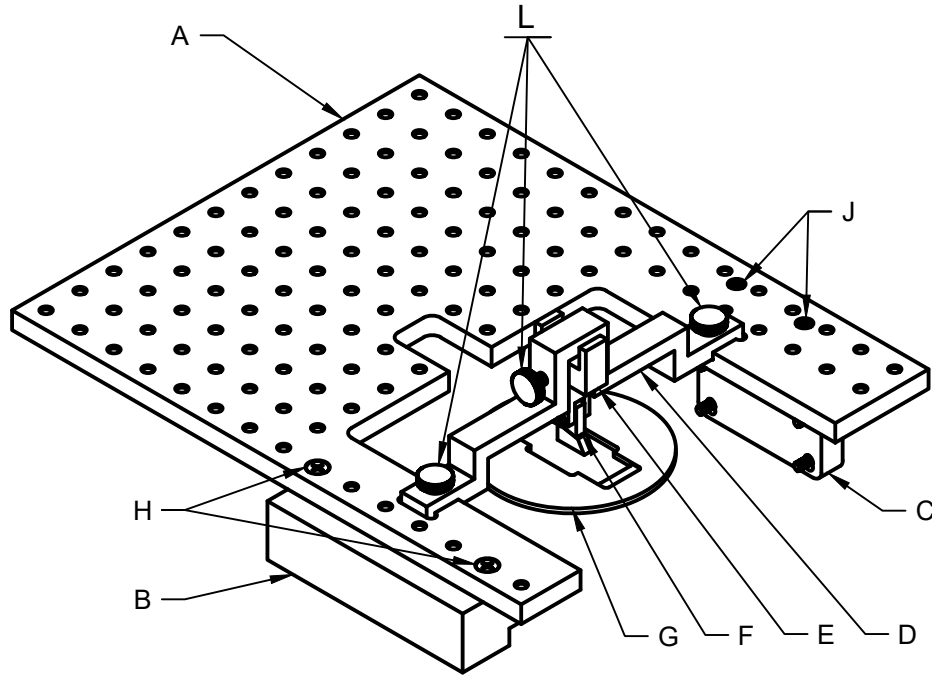
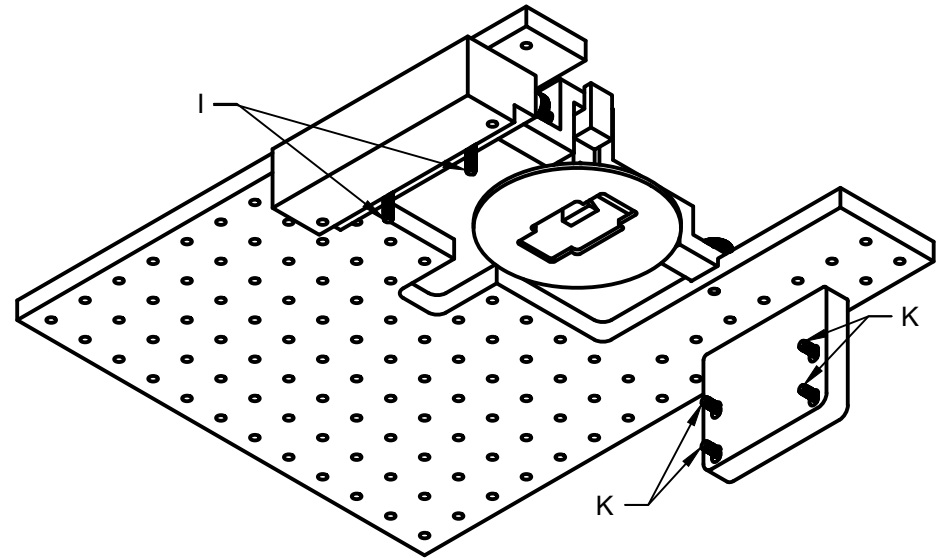




View From Above



View From Below



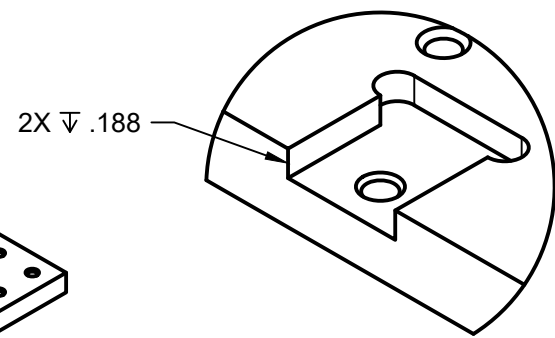
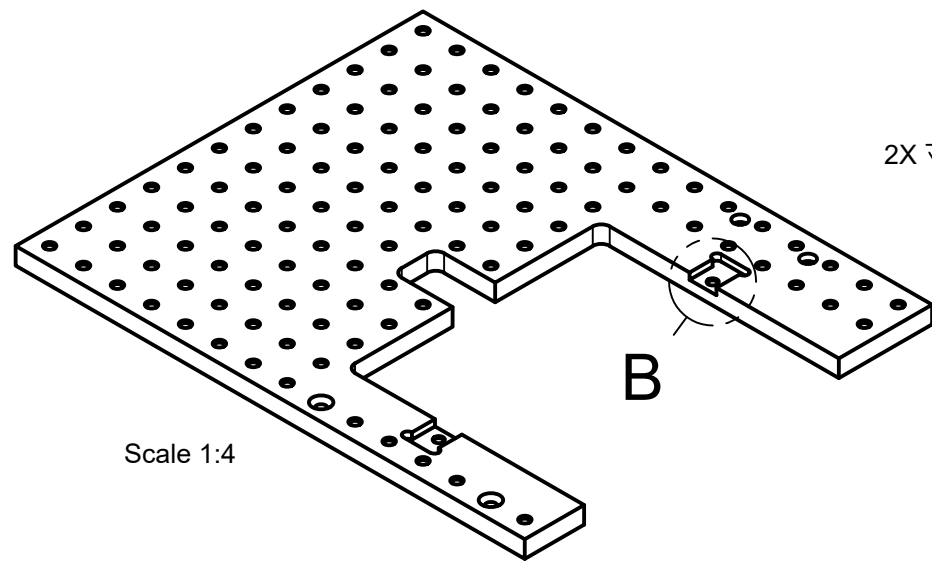
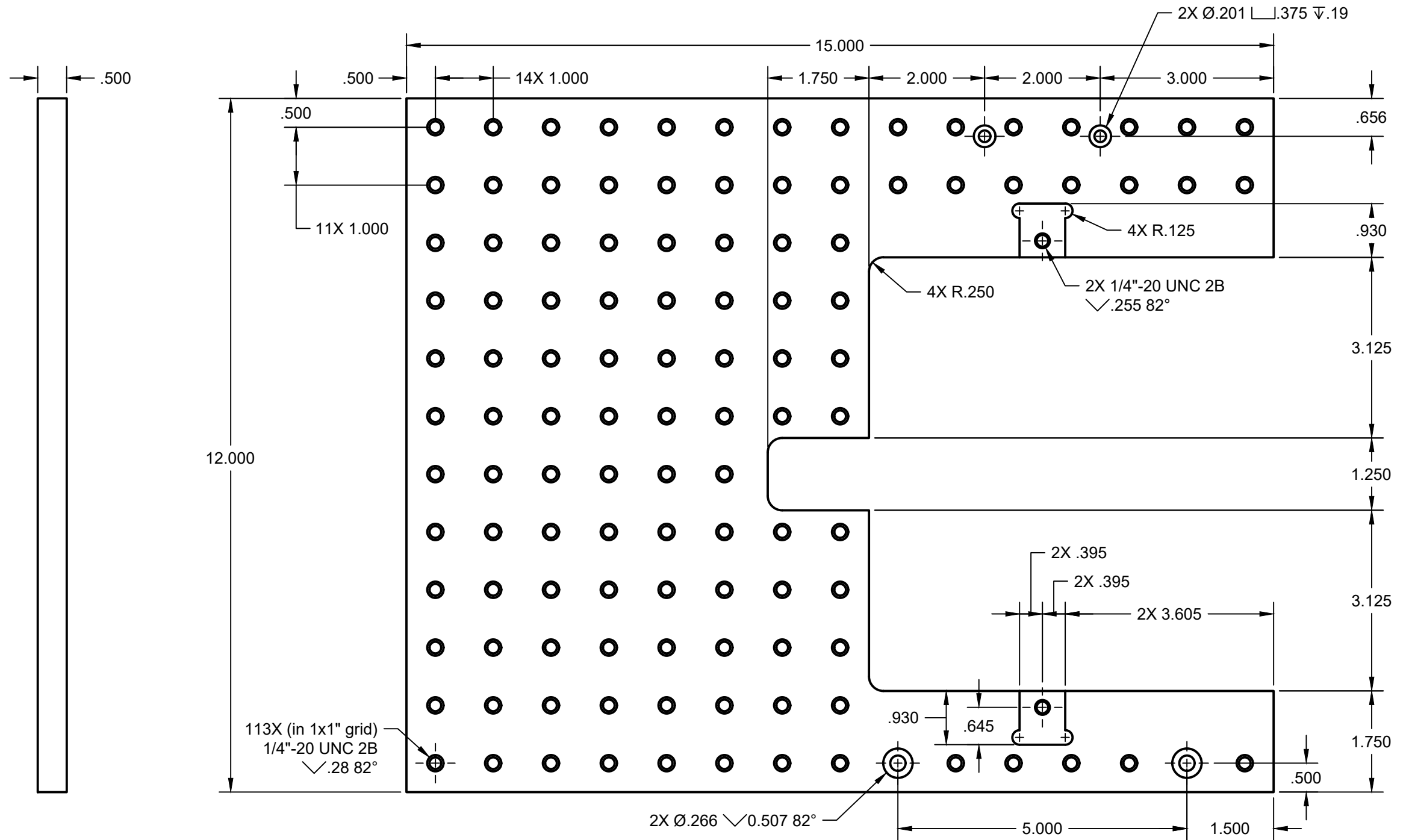
- A: Stage Breadboard (1x)
- B: Front Stage Adapter (1x)
- C: Back Stage Adapter (1x)
- D: Overhead Arm (1x)
- E: Prism Adapter (1x)
- F: Prism Connector (1x)
- G: Slide Holder Insert (1x)
- H: 1/4"-20 x 1-1/4" Flat Head (2x)
- I: M5-0.8 x 40 mm Socket Head (2x)
- J: 10-24 x 1" Socket Head (2x)
- K: M5-0.8 x 25 mm Socket Head (4x)
- L: 1/4"-20 x 3/4" Thumb Screw  
Knurled Head  $\text{\O}3/4"$  (3x)

		PROJECT		
		<b>prismTIRF Microscope</b>		
		TITLE		
		<b>Stage Components Assembled</b>		
		(1x)		
APPROVED	SIZE	CODE	DWG NO	REV
CHECKED	A			
DRAWN	Max Fairlamb	6/3/2021	SCALE 1:4	WEIGHT
			SHEET 1/9	



Unless otherwise stated:

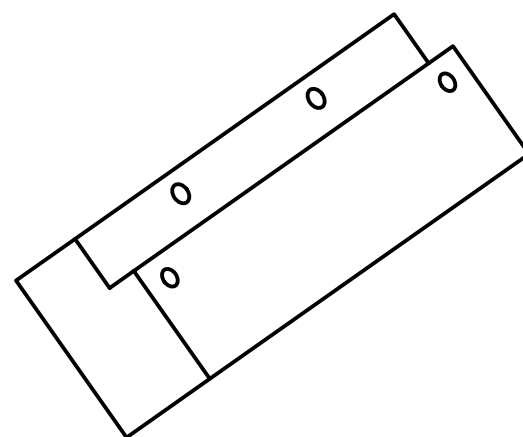
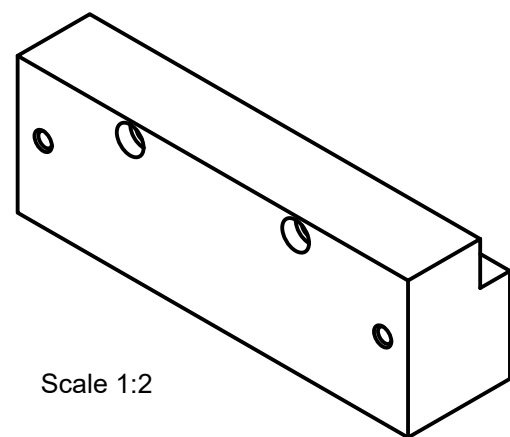
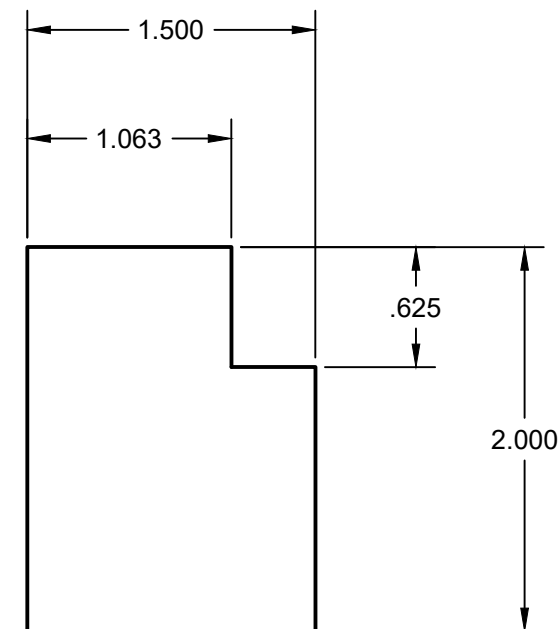
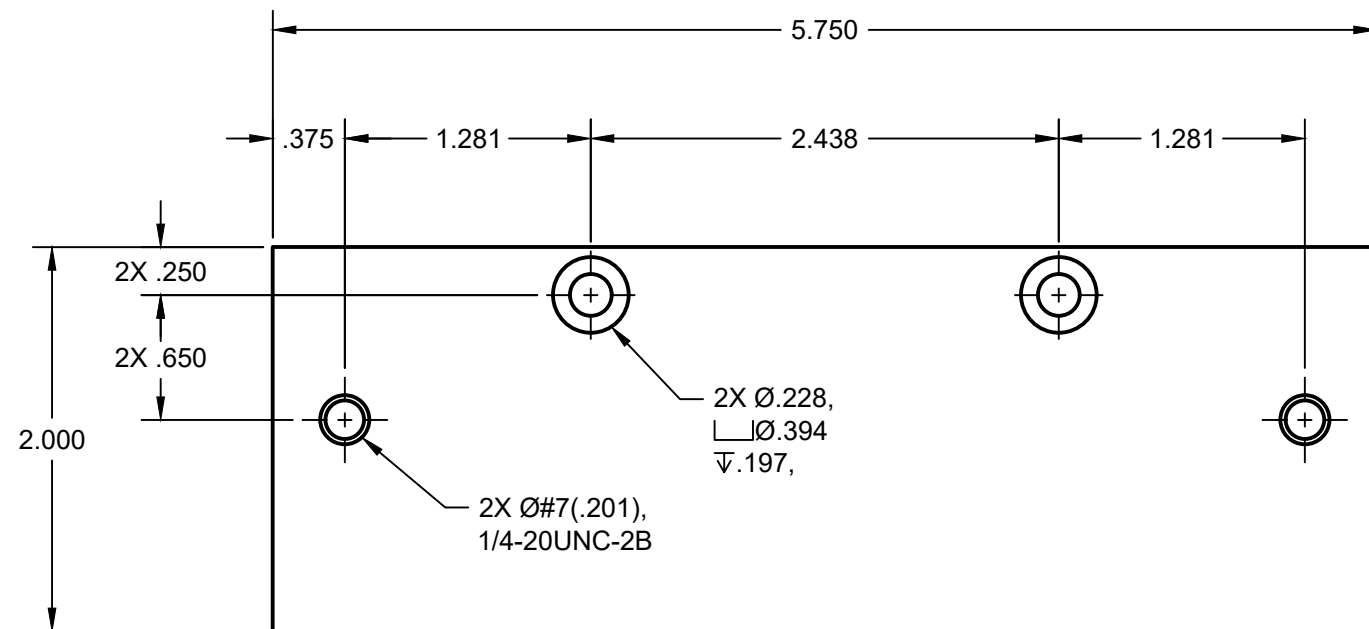
.XX ±.01  
 .XXX ±.005  
 .XXXX ±.0005  
 Angles ±.5°



PROJECT		prismTIRF Microscope		
TITLE		Stage Components Stage Breadboard		
(1x)				
APPROVED	SIZE	CODE	DWG NO	REV
CHECKED	B			
DRAWN	Max Fairlamb	6/3/2021	SCALE 1:2	WEIGHT
			SHEET 2/9	

Unless otherwise stated:

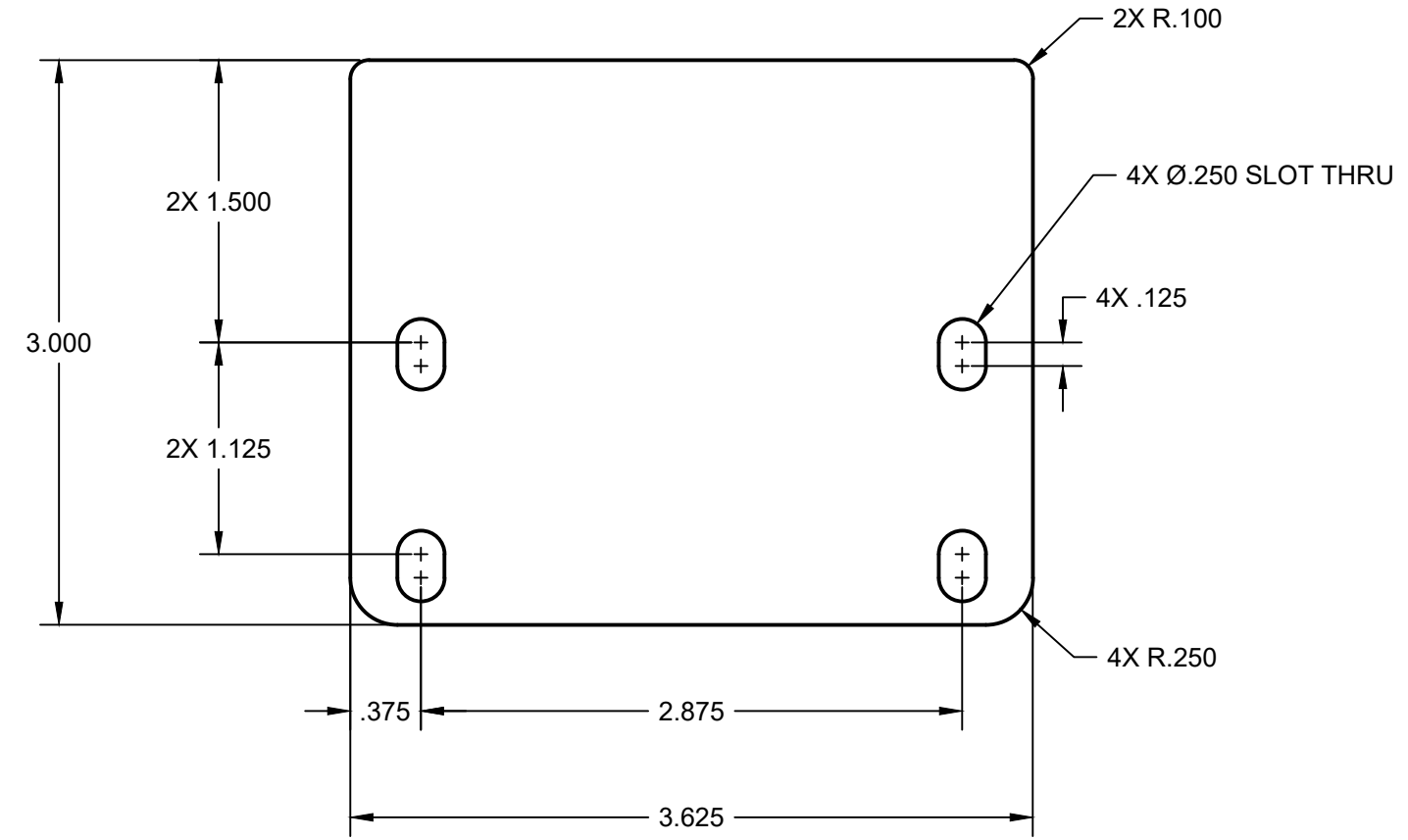
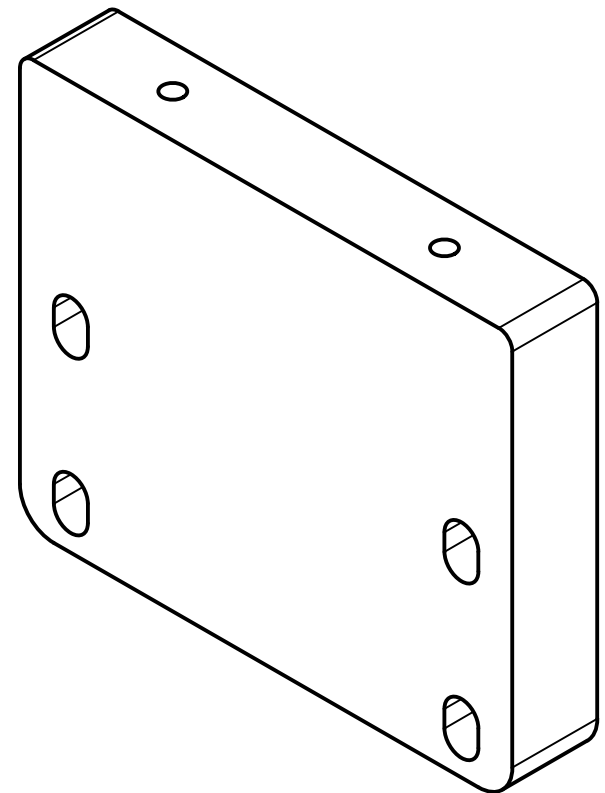
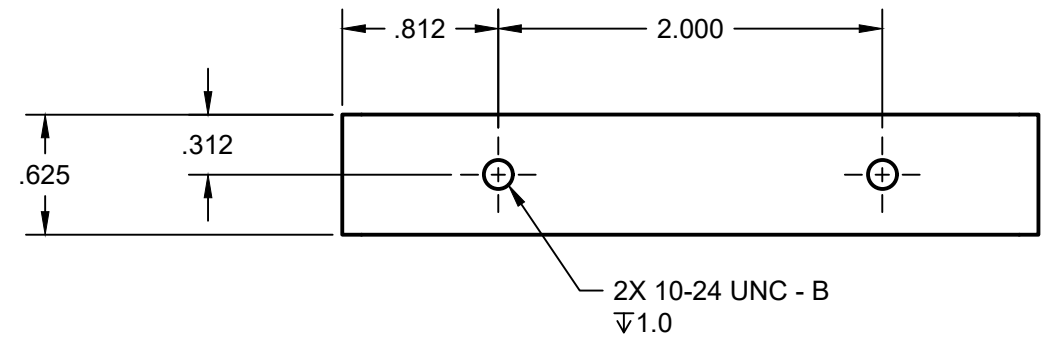
.XX ±.01  
 .XXX ±.005  
 .XXXX ±.0005  
 Angles ±.5°



		PROJECT		
		prismTIRF Microscope		
		TITLE		
		Stage Components Front Stage Adapter (1x)		
APPROVED	SIZE	CODE	DWG NO	REV
CHECKED	B			
DRAWN	Max Fairlamb	6/3/2021	SCALE 1:1	WEIGHT
			SHEET 3/9	

Unless otherwise stated:

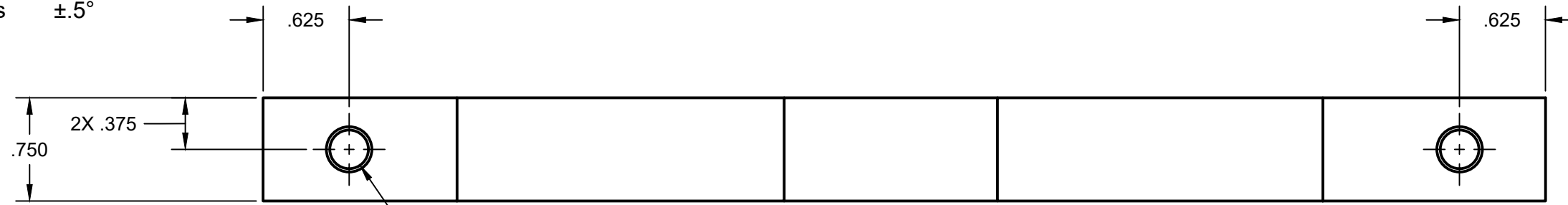
.XX ±.01  
 .XXX ±.005  
 .XXXX ±.0005  
 Angles ±.5°



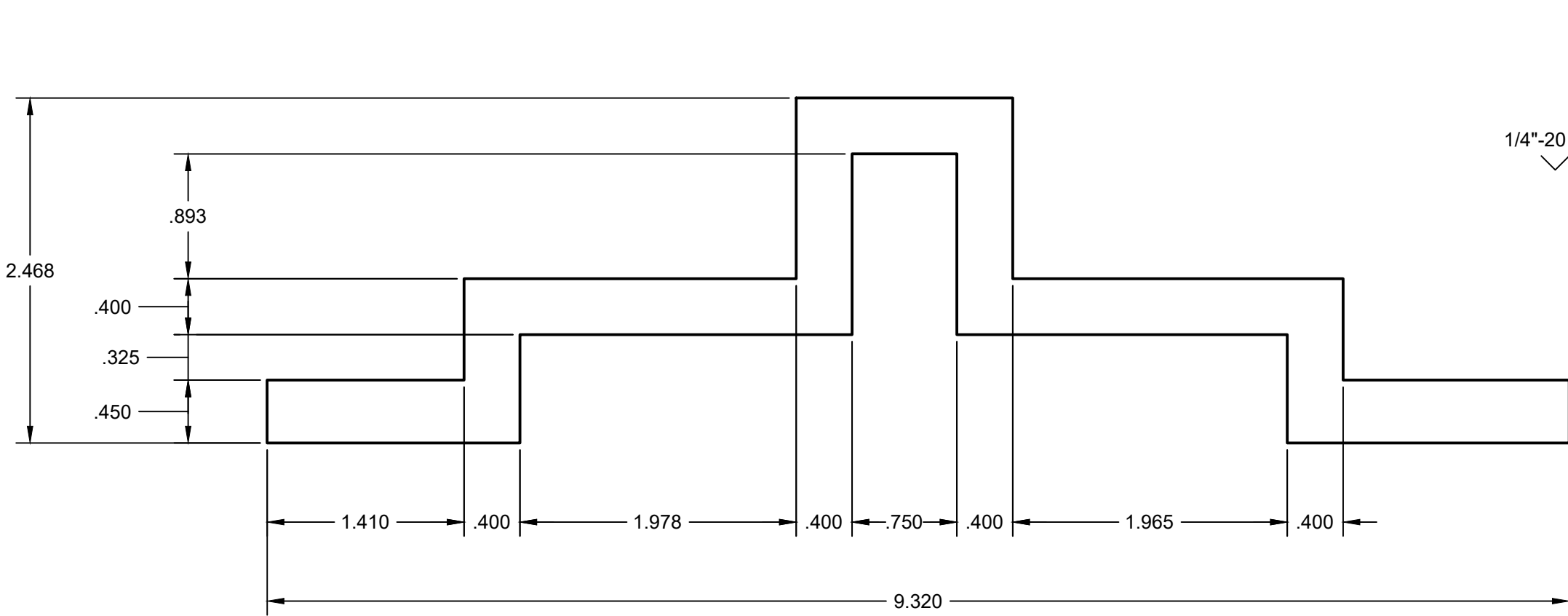
		PROJECT		
		prismTIRF Microscope		
		TITLE		
		Stage Components Back Stage Adapter (1x)		
APPROVED	SIZE	CODE	DWG NO	REV
CHECKED	B			
DRAWN	Max Fairlamb	6/3/2021	SCALE 1:1	WEIGHT
			SHEET 4/9	

Unless otherwise stated:

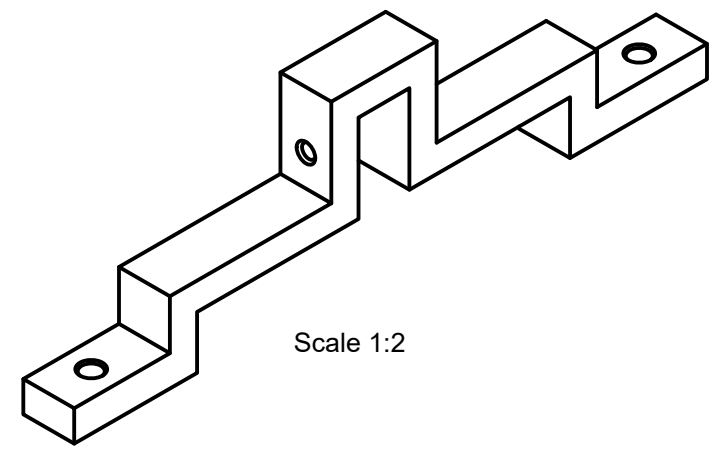
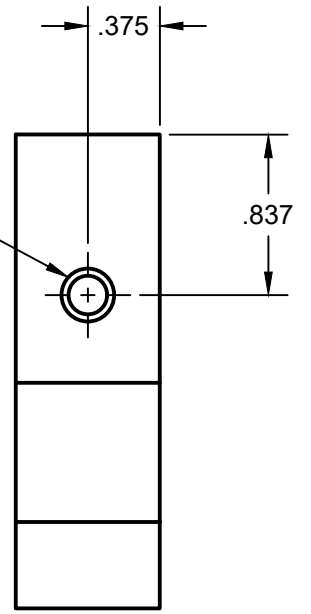
.XX ±.01  
 .XXX ±.005  
 .XXXX ±.0005  
 Angles ±.5°



2X Ø.281 √.33 82°

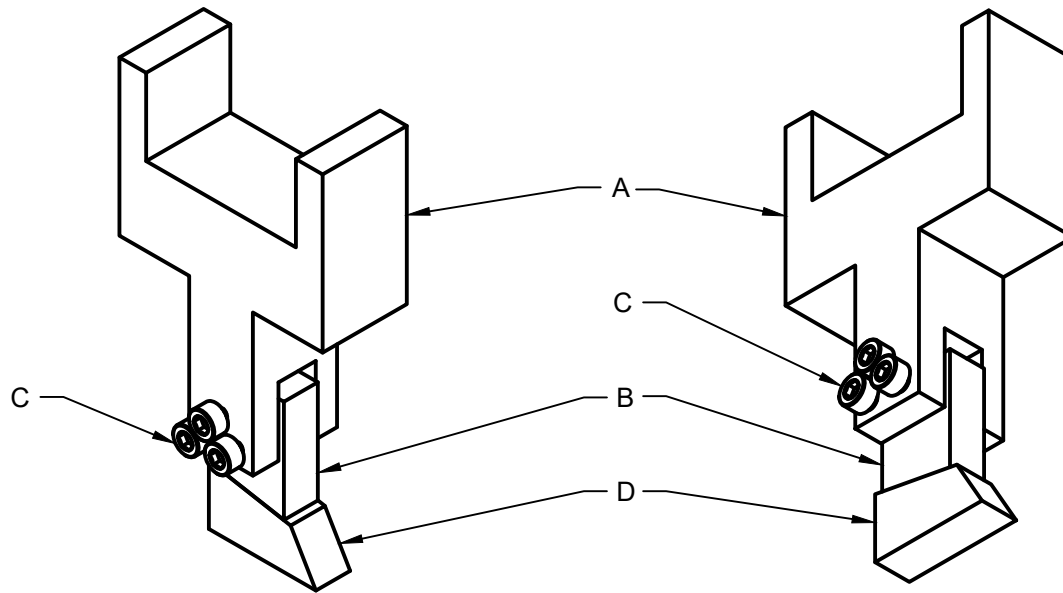


1/4"-20 UNC 2B  
 √.275 82°



Scale 1:2

		PROJECT		
		prismTIRF Microscope		
		TITLE		
		Stage Components Overhead Arm (1x)		
APPROVED	SIZE	CODE	DWG NO	REV
CHECKED	B			
DRAWN	Max Fairlamb	6/3/2021	SCALE 1:1	WEIGHT
			SHEET 5/9	

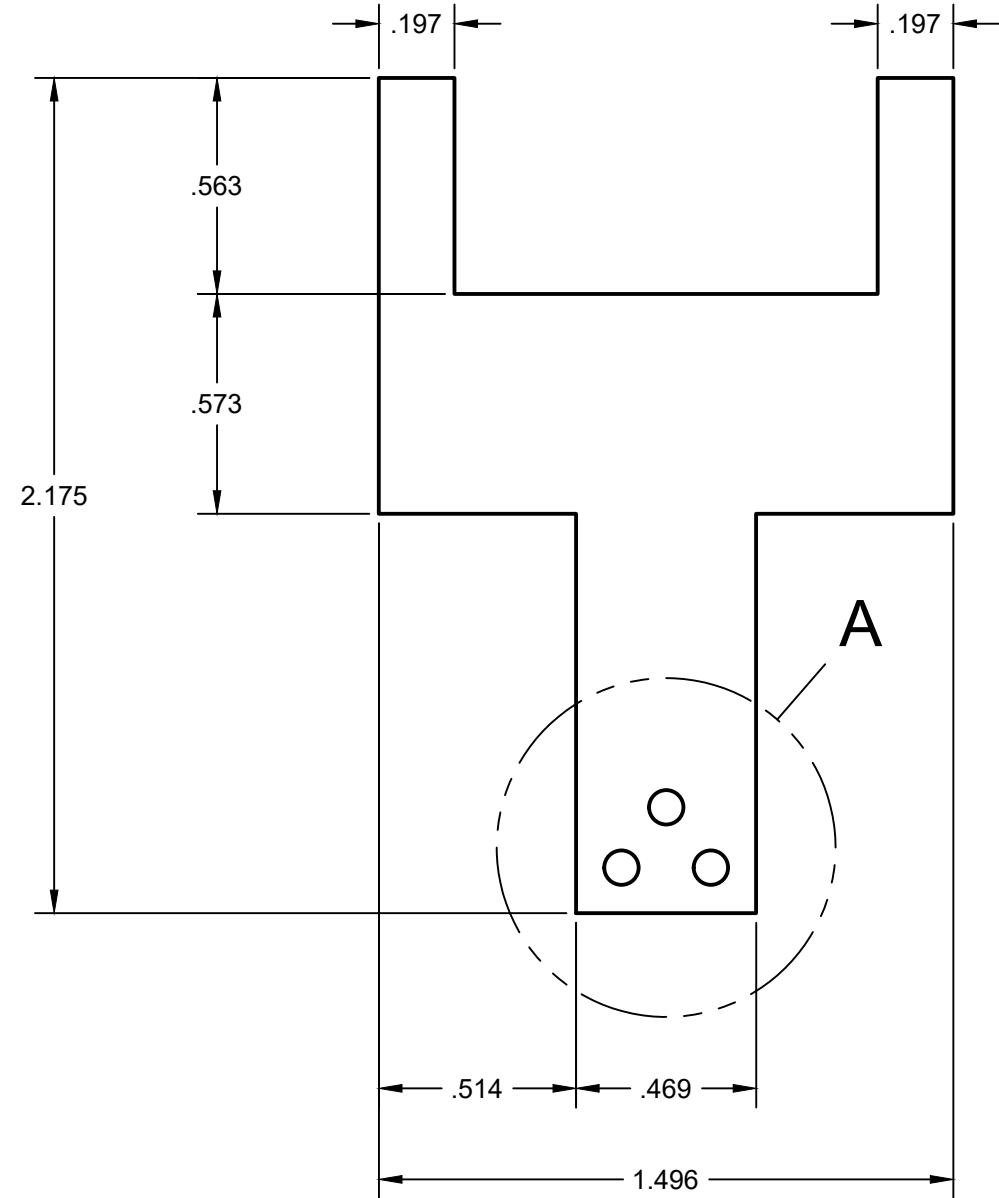


- A: Prism Adapter (1x)
- B: Prism Connector (1x)
- C: 4-40 x 1/4" Socket Head (3x)
- D: Fused Silica Quartz Prism  
(glued onto prism connector post-milling)

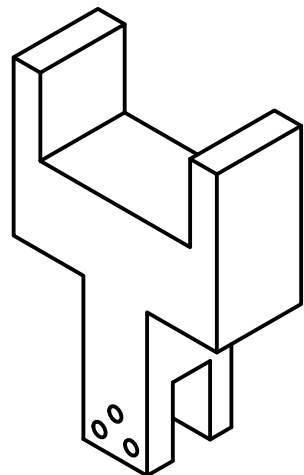
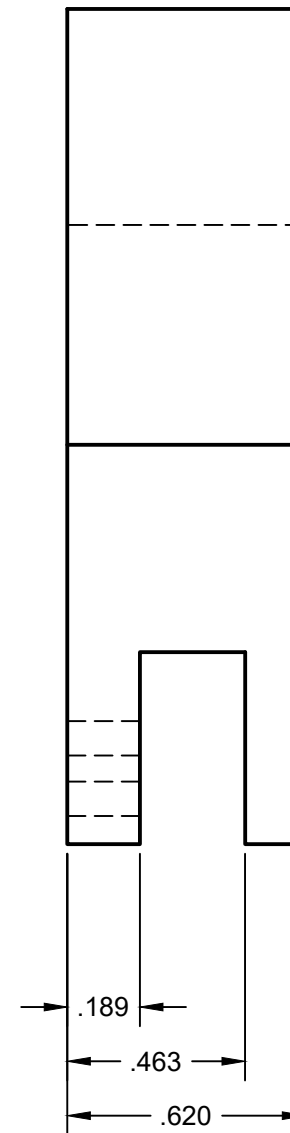
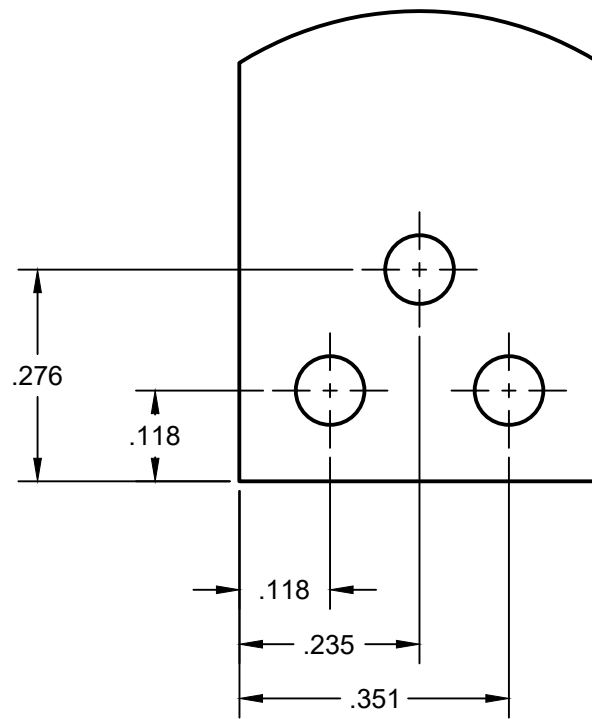
		PROJECT		
		<b>prismTIRF Microscope</b>		
		TITLE		
		<b>Stage Components Prism Adapter - Assembled (1x)</b>		
APPROVED	SIZE	CODE	DWG NO	REV
CHECKED	A			
DRAWN	Max Fairlamb	6/3/2021	SCALE 1:1	WEIGHT
			SHEET 6/9	

Unless otherwise stated:

.XX ±.01  
 .XXX ±.005  
 .XXXX ±.0005  
 Angles ±.5°



DETAIL A  
 SCALE 4:1

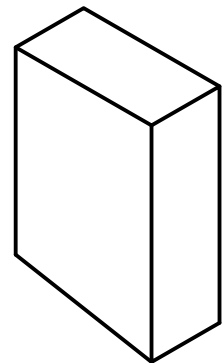
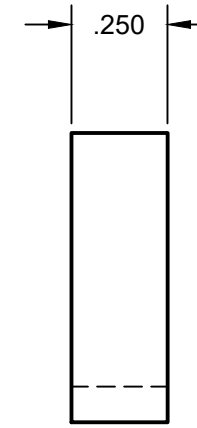
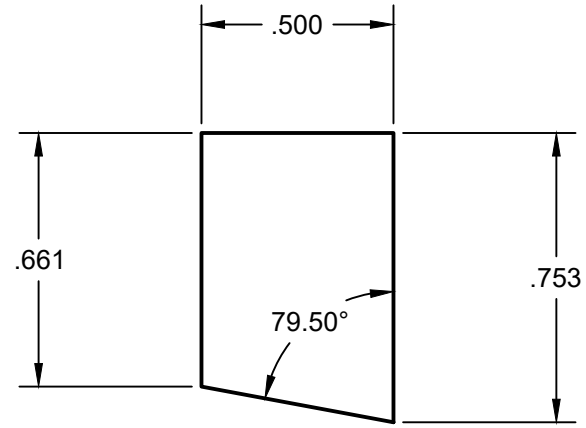


Scale 1:1

		PROJECT		
		prismTIRF Microscope		
		TITLE		
		Stage Components Prism Adapter (1x)		
APPROVED	SIZE	CODE	DWG NO	REV
CHECKED	B			
DRAWN	Max Fairlamb	6/3/2021	SCALE 2:1	WEIGHT
			SHEET 7/9	

Unless otherwise stated:

.XX ±.01  
 .XXX ±.005  
 .XXXX ±.0005  
 Angles ±.5°

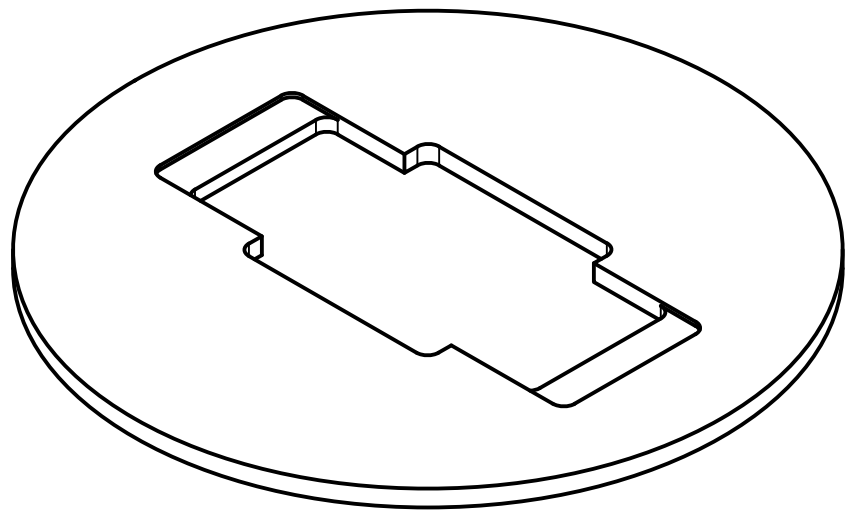
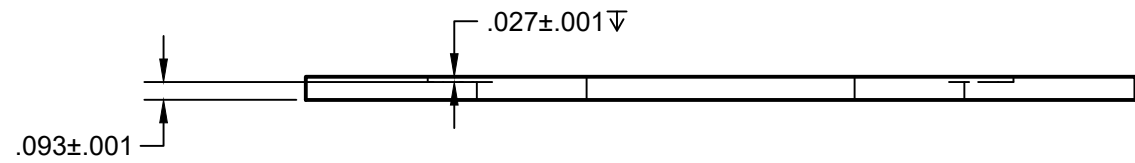
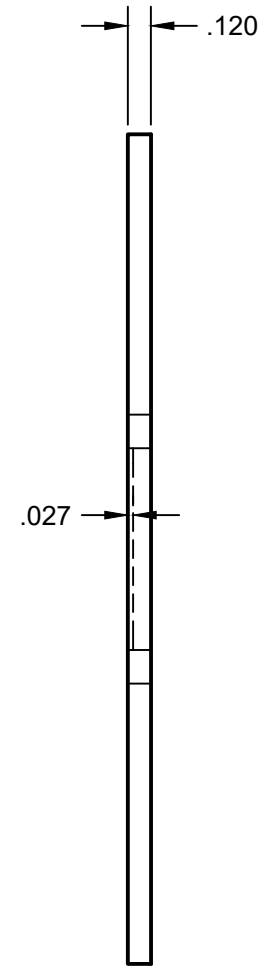
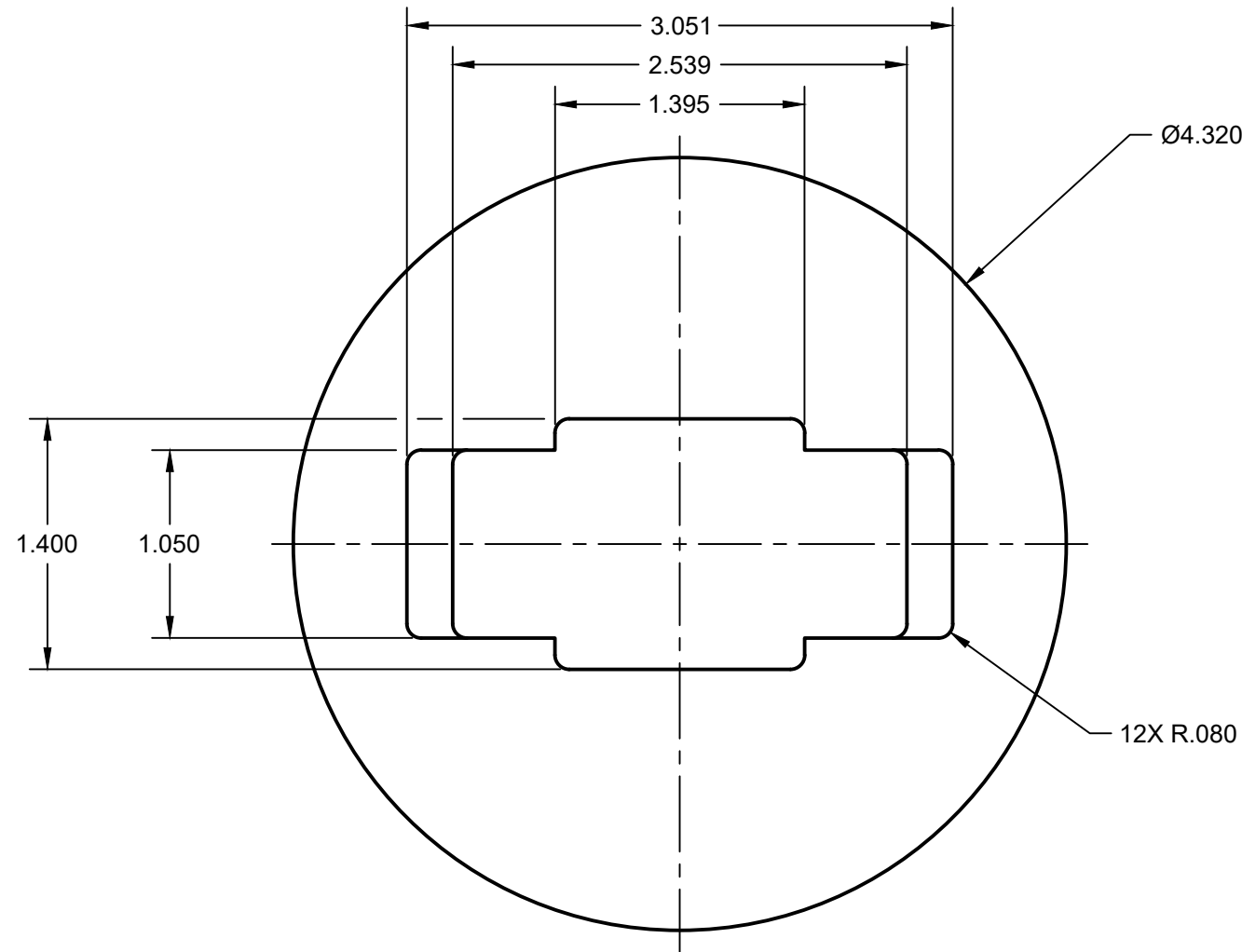


		PROJECT		
		prismTIRF Microscope		
		TITLE		
		Stage Components Prism Connector (1x)		
APPROVED	SIZE	CODE	DWG NO	REV
CHECKED	B			
DRAWN	Max Fairlamb	6/3/2021	SCALE 2:1	WEIGHT
			SHEET 8/9	



Unless otherwise stated:

- .XX ±.01
- .XXX ±.005
- .XXXX ±.0005
- Angles ±.5°



		PROJECT		
		prismTIRF Microscope		
		TITLE		
		Stage Components Slide Holder Insert (1x)		
APPROVED	SIZE	CODE	DWG NO	REV
CHECKED	B			
DRAWN	Max Fairlamb	6/3/2021	SCALE 1:1	WEIGHT
			SHEET 9/9	